

# Maßzeichnung Gummi-Bodenplatten

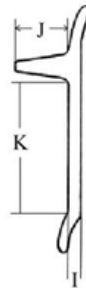
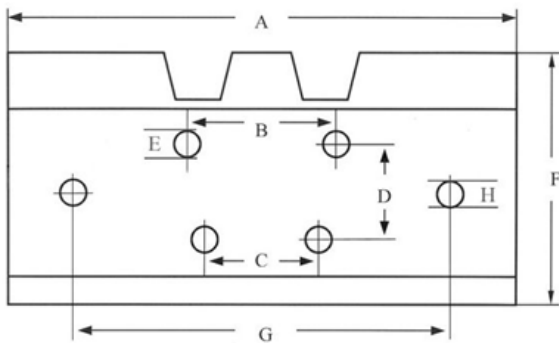
Firma:

Telefon / Fax:

Ansprechpartner:

E-Mail:

## Single Grouser (1-Step):



A =

H =

B =

I =

C =

J =

D =

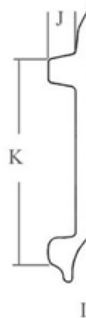
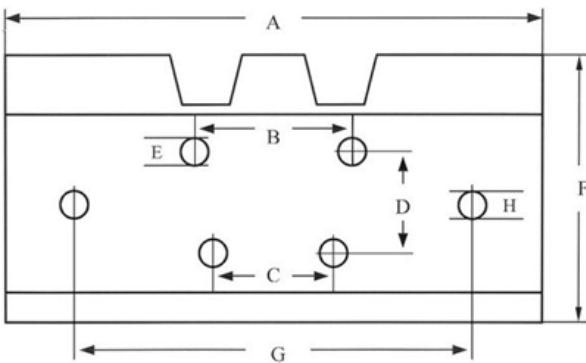
K =

E =

F =

G =

## Double Grouser (2-Step):



A =

H =

B =

I =

C =

J =

D =

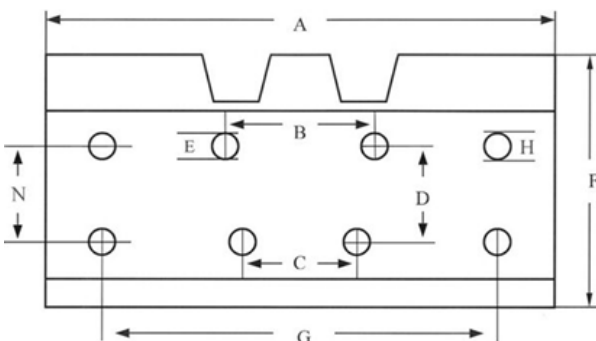
K =

E =

F =

G =

## Triple Grouser (3-Step):



A =

H =

B =

I =

C =

J =

D =

K =

E =

L =

F =

M =

G =

N =