

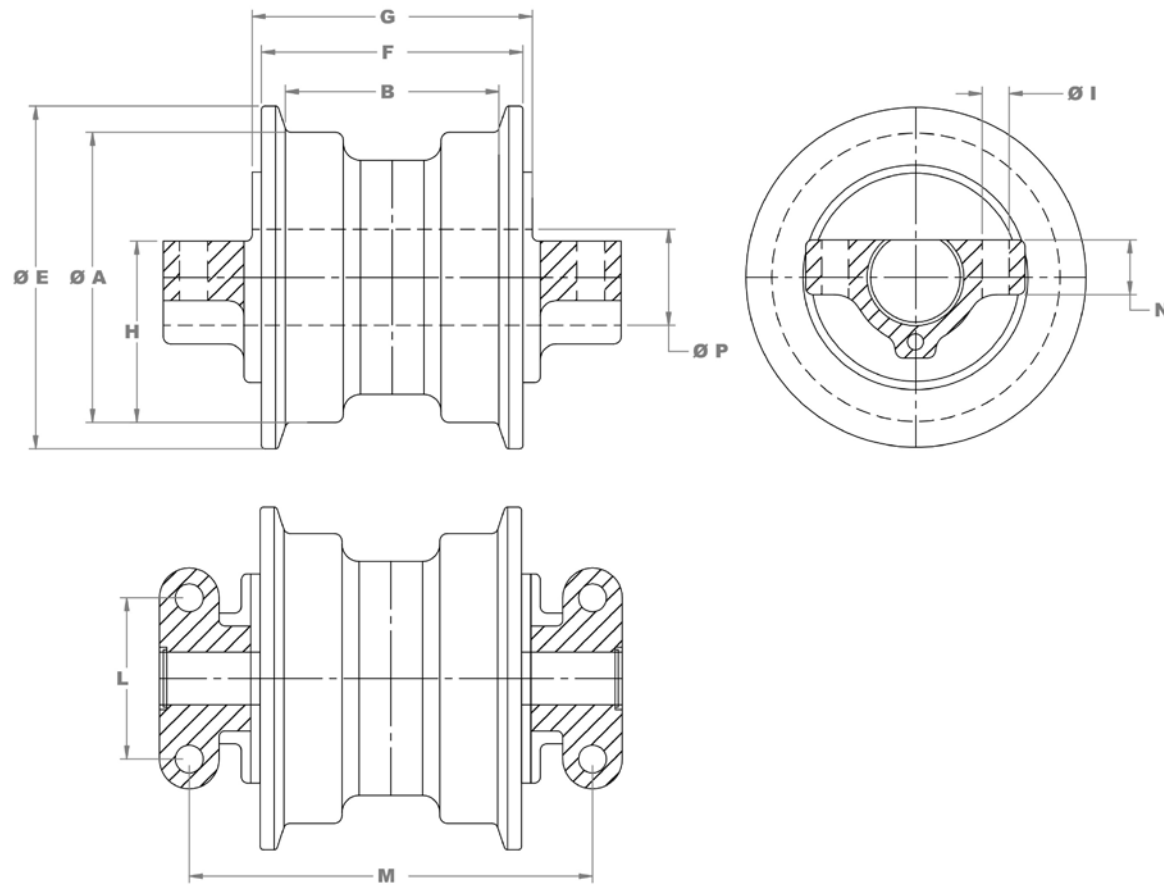
# Maßzeichnung Laufrolle

Firma:

Telefon / Fax:

Ansprechpartner:

E-Mail:



A = Ø	I = Ø
B =	L =
E = Ø	M =
F =	N =
G =	P = Ø
H =	Q =
Gewicht =	