

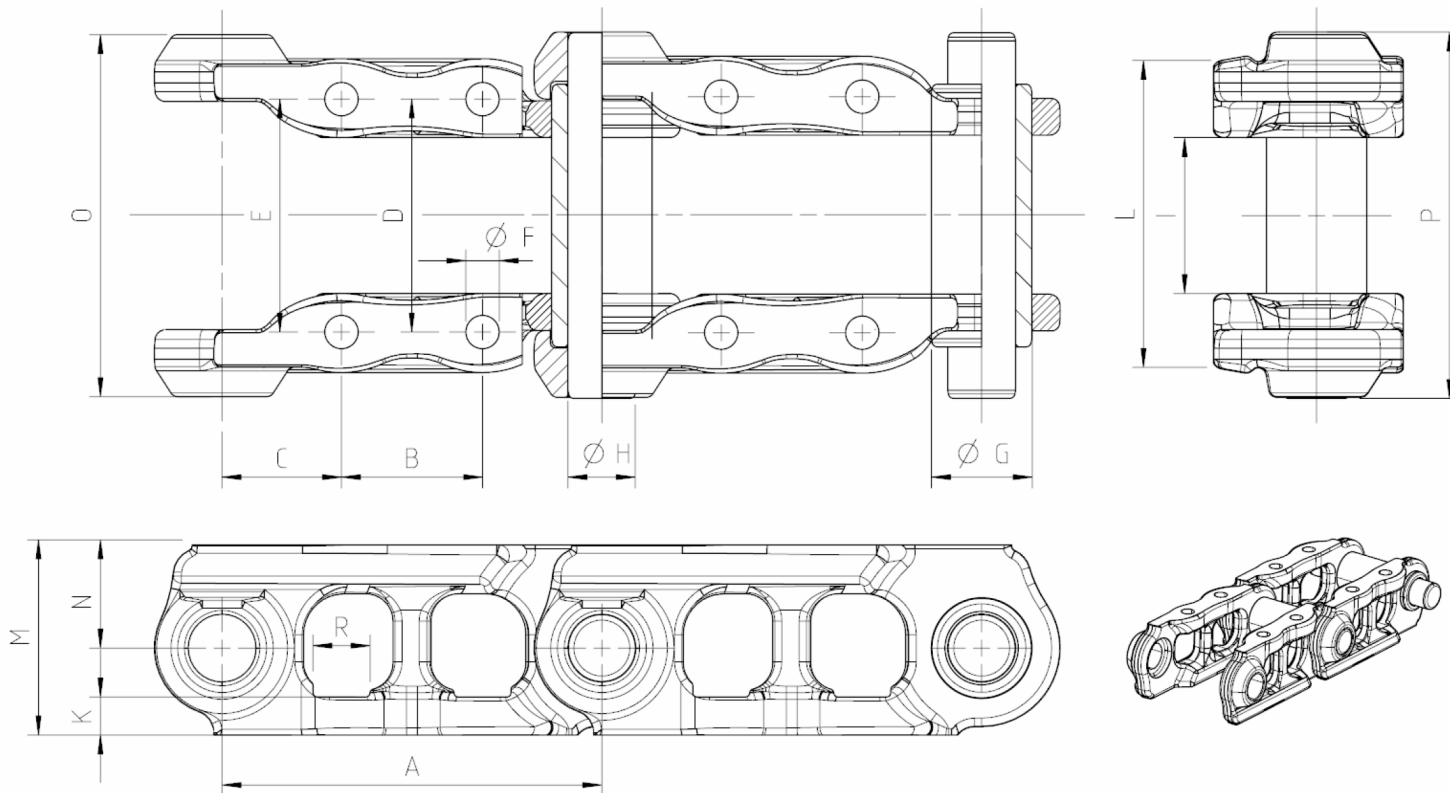
Maßzeichnung Stahlketten

Firma:

Telefon / Fax:

Ansprechpartner:

E-Mail:



A =	J =
B =	K =
C =	L =
D =	M =
E =	N =
F = Ø	O =
G = Ø	P =
H = Ø	Q =
I =	R =